

LED
室內外照明DMX512
燈光控制解決方案

DMX512 CONTROL
SOLUTIONS OF LED
INDOOR&OUTDOOR
LIGHTING



由于標準和材料的變更，文中所述特性和本資料中的圖像祇有經過我們的業務部門確認以後，才對我們有約束。



資料使用環保紙張印刷

EASEIC SCI-TECH CO.,LTD.

廣州市毅德智能科技有限公司

Headquarters In USA New York

Business Location:
27 Hall Street, Brooklyn, NY 11205
Tel.:1-718-243-9388, 1-718-243-1185

Factory In China Guangzhou

No.37 Huancun Xi Road,Liangtian Industrial Area,
Baiyun District,Guangzhou, P.R.C, 510545
Tel.:86-20-8744-5618,8744-5628,8744-5638
Fax:86-20-8744-5648
E-Mail:sales@easeic.com
<http://www.easeic.com>

www.easeic.com

EASEIC

To be the world leader in intelligent electrical system industry! 成爲全球智能電氣系統產業的領導者!

毅德(EASEIC),于2003年創立,總部位于紐約,是設計、制造電氣附件、燈光管理、能源管理和LED智能照明產品的全球領導者之一。EASEIC擁有在美國、德國、新加坡、印度、香港和中國的多個直屬代表機構和代理商,爲全球各地的使用者提供最新的產品資訊與快速的售後服務。

Founded in 2003 and headquartered in New York, USA, EASEIC is a world leader in the designing and creation of electric accessories and intelligent LED lighting products, as well as in lighting controller and energy controller. Now owning a complete and capable distributor network with local partners and dealerships in USA, Germany, Singapore, India, Hong Kong and Mainland China, the company provides customers around the globe with the latest products and prompt after-sale services.



EASEIC爲用戶提供高品質產品、一體化解決方案和完善的服務體系,其下產品包括電氣附件、E-LIGHTING智能環境燈光管理系統、MSCS能源管理系統和LED智能照明系統、E-Dim調光鎮流器等超過500多個型號的產品,獲得中國之CCC、CQC認證、歐共體CE認證、德國VDE認證、加拿大CUL和美國UL及ETL等標準認證。

EASEIC manufactures products of the highest quality, and provide you with integrated solutions and considerate services. There are more than 500 products, ranging from electric accessories, E-LIGHTING intelligent environment lighting controllers, MSCS energy management system to various intelligent LED lighting products and E-Dim dimming ballasts, all being approved by major certifications like Chinese CCC/CQC, EU CE, German VDE, Canadian CUL and USA UL/ETL.



色彩豐富，模式多樣 Colorful, diverse

可控制99個區域，每個區域可有99個主控制，每個主控制可控制512個通道，即總可控制5,018,112個DMX通道。

Can control 99 regions, 99 master controls in each region, each master controller controls 512 channels, there are 5,018,112 DMX channels in total.

可設定64個特技,64個事件和12種工作模式，滿足春夏秋冬四季的，工作日、休息日、節假日和特殊假日的不同運行模式。

Can set 64 special effects, 64 events and 12 working modes. Meet the modes of four seasons, working days, rest days, holidays and special holidays.

內置追逐,構造,漸變,跳變,循環等38種燈光特效，10級速度調節或自定義的由0.1S-1200S特效變化時間，具有特效暫停和恢復功能。

Built-in chase, construction, gradual, transition, and other 38 kinds of lighting effects. 10 levels speed adjustment or self defined effects change time by 0.1S-1200S, with special effects to pause and resume function.

控制的RGB具有256級高度調節，可表現16,770,000種色彩，實現真彩顯示。

256 height adjustment RGB control,display 16,770,000 colors, achieve true color display.

多種觸發方式，靈活控制 Multiple trigger mode, flexible control

具有全球經緯度定位的365天天文時鐘管理系統，日出日落，夏時制跟踪功能，隨季節變化合理控制，每天自動調節啟動和停止時間。

With a GPS latitude and longitude 365 day clock management, sunrise and sunset, daylight saving time tracking function, reasonable control according to the changing seasons, automatically adjust the start and stop time every day.

自定義多樣化的觸發方式，如由可編程面板手動觸發，或由時間點、時間段、日出、日落、傳感器組等自動觸發。

Customize triggered by a variety of ways to, such as manually triggered by a programmable panel, or by time point, time period, sunrise, sunset, sensors group and other automatic trigger.

觸發條件可由用戶設定、修改，而且觸發條件可用表達式設置。

Trigger conditions can be set and modified by the user, and can be set by expression.

事件觸發時可控制多個對象組，且受控對象組可設定、修改及查看。

When event occurs, it can control many groups, and the controlled object group can be set, modified and checked.



本地及遠程，控制方便

Local and remote, easy to control

使用圖形界面軟件，對功能進行編輯和設定，并可通過以太網端口或USB端口下載程序。

Use graphical interface software to edit, set function, and download by the Ethernet port or USB port.

通過PC、手機GPRS或短信控制，狀態查詢和反饋功能，支持短信或遠程配置和遠程固件升級，數據備份及還原功能。

Controlled by PC, mobile phone GPRS or SMS, with state inquiries and feedback function, support SMS or remote configuration and remote firmware upgrades, data backup and restore functions.

無線射頻遙控功能，遙控事件特效觸發，模式切換和速度切換等，遙控距>50米。

RF remote control, remote event special effects trigger, mode and speed switching, remote distance > 50 meters.

無縫集成，應用廣泛

Seamlessly integrated, widely used

支持如動靜，亮度，風力等多種開關型傳感器和線性傳感器傳感器，兼容不同類型的傳感器。

Support such as movement, light, wind and other switch-type sensors and linear sensors, compatible with different types of sensors.

提供RS485，RS232，USB，以太網，無線ZIGBEE或GPRS等多種控制轉換模塊，可與開放式協議的DALI，DMX512等直接組網控制，或第三方的專用控制協議組網控制。

Provide RS485, RS232, USB, Ethernet, wireless ZIGBEE or GPRS control conversion modules. Connect with an open protocol DALI, DMX512 network, or third-party dedicated control protocol network.

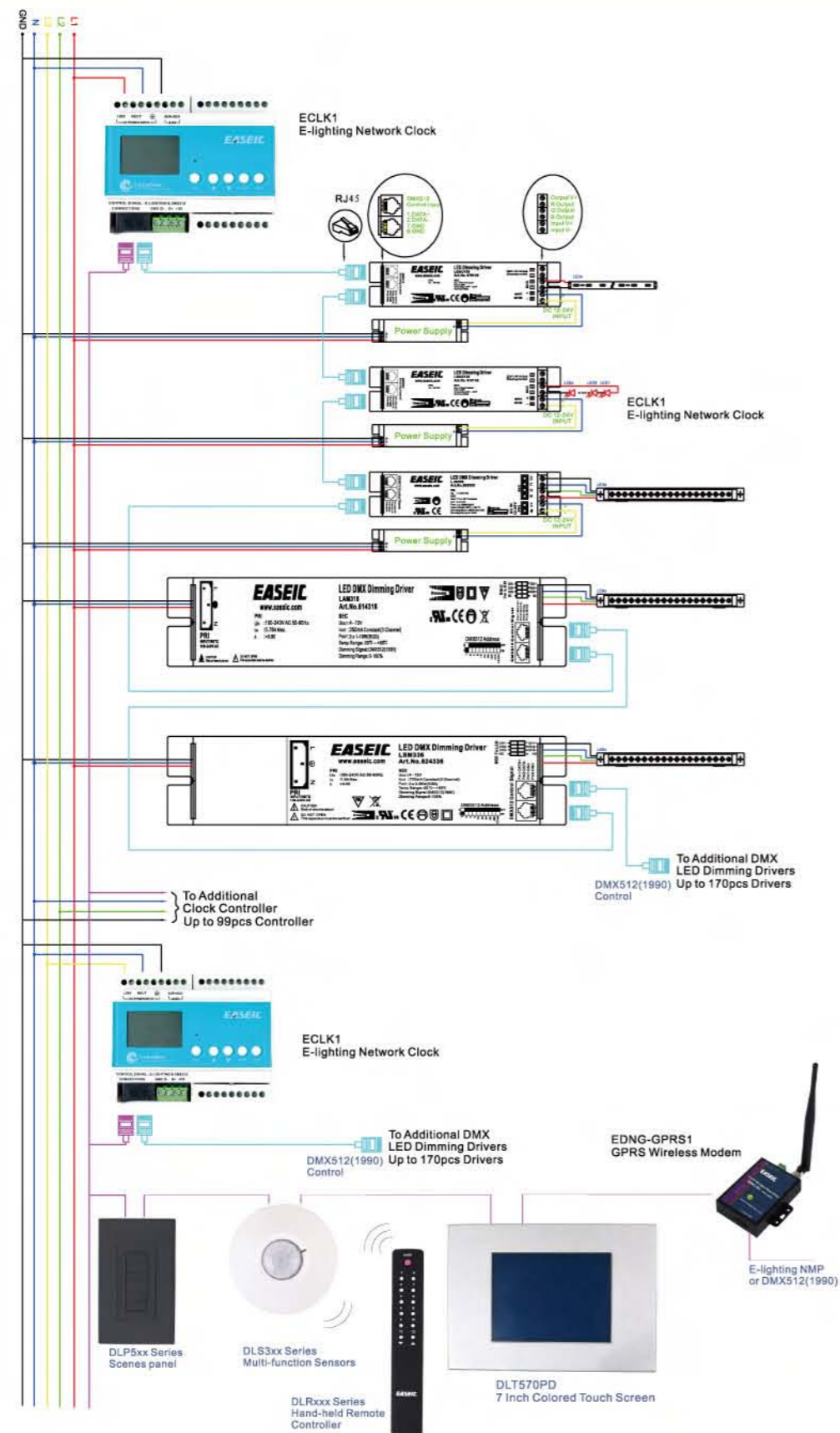
E-Lighting LED DMX512控制模塊不僅為舞臺燈光控制、室外裝飾照明等應用場合提供了良好的解決方案，更與眾多的E-LIGHTING室內商業照明及MSCS能源管理系統無縫集成，讓所有環境及照明控制在同一系統中得到高效的智能化管理。

E-Lighting LED DMX512 control module not only offers better solutions for the stage lighting control, outdoor decorative lighting applications, but also seamlessly integrates with many of the E-LIGHTING MSCS indoor commercial lighting and energy management system. In this way, all environmental and lighting control systems can get high-efficient intelligent management in the same system.



Schematic Drawing of LED DMX512 Control LED DMX512 控制方案圖

DMX512 LED 驅動器 DMX512 LED Drivers



- 多個規格的驅動器，具有DMX512調光控制接口
- 外部調光控制信號可控制PWM調光範圍為0~100%
- 單通道的獨立調光控制輸出或RGB三路混合輸出RGB光譜
- 標準恒流輸出350mA,700mA,1000mA驅動器,應用於輸出功率範圍為1-108W的高功率LED
- 12V,24V,36V或48V的LED恒壓驅動器,應用於小功率LED,最大輸出功率為360W
- 高效均衡的供電,有效延長光源壽命和減小光衰
- 有效的短路保護、超載保護和過熱保護
- 運行環境溫度 ($t_a = -20 \rightarrow +60^\circ\text{C}$)
- 產品部件符合RoHS環保法規
- 3年質量保證

Features

- Multiple specifications of the drive, with DMX512 dimming control interface
- External dimming control signal to control the PWM dimming range from 0 to 100%
- Single independent dimming control output or RGB three-channel mixed output RGB spectrum
- Standard constant current output 350mA, 700mA or 1000mA driver, apply to the output power range of 1-108W high-power LED
- 12V ,24V,36V or 48V for constant voltage LED driver for small-power LED, the highest output power is 360W
- Efficient balanced power electricity supply, effectively extend the source life and reduce the lumen
- Effective short-circuit protection, overload and over temperature protection
- Operating temperature($t_a = -20 \rightarrow +60^\circ\text{C}$)
- Environmentally friendly components comply with RoHS
- 3 Year guarantee



DMX512 LED 驅動器
DMX512 LED Drivers



E-LIGHTING DMX 控制系統
E-LIGHTING LED DMX512 Controller

3 Year guarantee



LFAD112
1-12W 350mA Constant Current
DMX Dimmable LED Driver



LGAD136
3-36W 700mA Constant Current
DMX Dimmable LED Driver



LFM312
3x1-12W 350mA Constant Current
DMX Dimmable LED RGB Driver



LGM336
3x3-36W 700mA Constant Current
DMX Dimmable LED RGB Driver



LJAD106
144W 12V or 24V Constant Voltage
DMX Dimmable LED Driver



LJAD106A
144W 12V or 24V Constant Voltage
DMX Dimmable LED Driver



LJM305
3x120W 12V or 24V Constant Voltage
DMX Dimmable LED RGB Driver



LJM305BR
3x120W 12V or 24V Constant Voltage
DMX Dimmable LED RGB Driver



LJM303
3x72W 12V or 24V Constant Voltage DMX
Dimmable LED RGB Driver



LJM403
4x72W 12V or 24V Constant Voltage
DMX Dimmable LED RGBY Driver



LAM318
3x1-18W 350mA Constant Current
DMX Dimmable LED RGB Driver



LBM336
3x3-36W 700mA Constant Current
DMX Dimmable LED RGB Driver



ECLK1
E-LIGHTING Network Clock



DLS304I
Programmable
Multi-Function Sensor



DLR612S
12 Key Hand-Held
Remote Controller



DLP5xxPK
6-12Key Programmable
Multi-Function Panel



EDNG-GPRS1
GPRS Wireless Modem



DLT570PD
7 Inch Colored Touch Screen

Type 型號	Art. No. 訂購編號	Input Voltage 輸入電壓	Output Current 輸出電流(mA)	Nominal Power 功率(W)	Dimming Signal 調光信號	Dimensions 外形尺寸(mm)
LFAD112	666112	12-48V DC	350	1-12	DMX & 0-10V	175x45x35
LGAD136	676136	12-48V DC	700	3-36	DMX & 0-10V	175x45x35
LFM312	664312	12-48V DC	350	3x1-12	DMX	175x45x35
LGM336	674336	12-48V DC	700	3x3-36	DMX	175x45x35
LJAD106	606106	12-24V DC	12 or 24V 0-6000	0-144	DMX & 0-10V	175x45x35
LJAD106A	606106	12-24V DC	12 or 24V 0-6000	0-144	DMX & 0-10V	175x45x35
LJM305	606305	12-24V DC	12 or 24V 0-3x5000	3x0-120	DMX	175x45x35
LJM305BR	604305	12-24V DC	12 or 24V 0-3x5000	3x0-120	DMX & IR	175x45x35
LJM303	606303	12-24V DC	12 or 24V 0-3x3000	3x0-72	DMX	175x45x35
LJM403	606403	12-24V DC	12 or 24V 0-4x3000	4x0-72	DMX	175x45x35
LAM318	614318	100-240V AC 50/60Hz	350	3x1-18	DMX	306x46x36
LBM336	624336	100-240V AC 50/60Hz	700	3x3-36	DMX	306x46x36

Type 型號	Art. No. 訂購編號	Description 描述	Dimensions 外形尺寸(mm)
ECLK1	520009	E-LIGHTING Network Clock	105x91x59
EDNG-GPRS1	520008	GPRS Wireless Modem	115x78x32
DLS304I	534304	Programmable Multi-Function Sensor	Φ107
DLR612S	530612	12 Key Hand-Held Remote Controller	177x30x20
DLP512PK	532512	6-12Key Programmable Multi-Function Panel	118x73x27
DLT570PD	533570	7 Inch Colored Touch Screen	211x148x53
DLT571PD	533571	7 Inch Wireless Colored Touch Screen	210x121x36

更多E-LIGHTING智能環境燈光管理系統模塊，請瀏覽 www.easeic.com

More E-LIGHTING intelligent environment lighting management system modules, please browse www.easeic.com